

Mission Statement

LOOKING AFTER YOUR

3 PHASE

INDUCTION MOTORS

The word 'Introduction' is written in a yellow, italicized, serif font.

Introduction

- ❑ NewElec Pretoria (Pty) Ltd was established 1980
- ❑ ISO 9001 accredited in November 2001
- ❑ Specialising in the design and manufacture of LV Motor protection and control relays

**NEW
ELEC**

EC EARTH INSULATION LOCK OUT **RELAY...**





EC EARTH INSULATION LOCK OUT
RELAY...

**NEW
ELEC**

WHY WAS IT DESIGNED?

To monitor the insulation integrity of the protected motor windings and feeder cables to earth while the motor is standing.



EC EARTH INSULATION LOCK OUT RELAY...

**NEW
ELEC**

FEATURE HIGHLIGHTS

- Three models to choose from - designate the earth leakage trip threshold value**
- Small footprint allows ease of mounting (39 x 75 mm)**
- Fail-safe configuration**
- Permanently in the circuit but monitors only when the motor is not running**
- Front control panel mounted LEDs indicate fault (lock-out) OR (healthy) conditions**
- Pluggable 11-pin base for ease of removal**
- Fused measuring circuit protects relay against inadvertent damage due to incorrect connections**
- Available in 12 OR 110 Volt a.c models**
- Requires only a 3-phase choke**



EC EARTH INSULATION LOCK OUT RELAY...

**NEW
ELEC**

BENEFITS

- ❑ The main contactor is prevented from closing into a circuit in which the insulation level to earth is below an acceptable level.



EC EARTH INSULATION LOCK OUT
RELAY...

**NEW
ELEC**

TYPICAL APPLICATIONS

- For motor applications that are of a seasonal nature such as sugar mills
- For motors that are exposed to hosing down such as in abattoirs
- For use in stand-by equipment
- For use in coastal applications or geographical areas experiencing relatively fast changes in ambient temperatures and susceptible to high humidity and condensation



EC EARTH INSULATION LOCK OUT **RELAY...**

NEW ELEC

SPECIFICATIONS

MEASUREMENT ACCURACY

Motor windings	:	D.O.L. +-5%
Motor windings Star/Delta or feeder cable	:	- 5% to + 10%

REPEATABILITY

Measurement accuracy	:	+ - 5%
----------------------	---	--------

OPERATING RANGE

Auxiliary supply	:	+ - 10%
------------------	---	---------

OUTPUT RELAY

Rating	:	5 Amp at 240 V ac.
--------	---	--------------------

INSULATION

Separate circuits	:	IEC 255-5C
Impulse	:	IEC 255-4E III
N/O contacts	:	1 kV 60 seconds

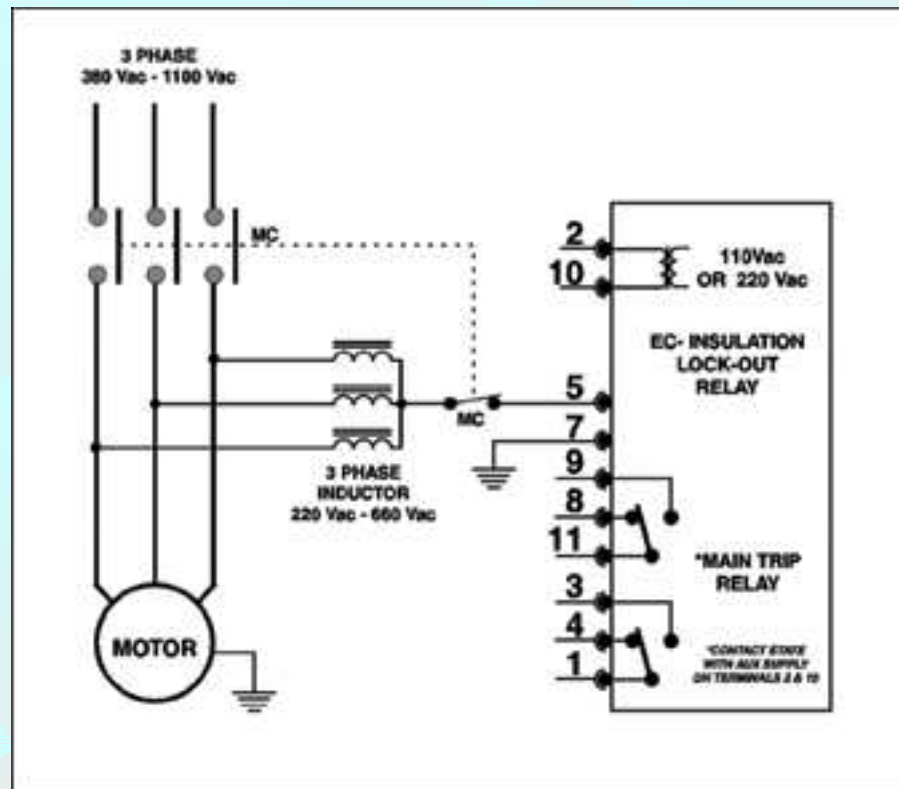
DISTURBANCE IMMUNITY

High frequency	:	IEC 255-8 E III
----------------	---	-----------------



EC EARTH INSULATION LOCK OUT RELAY...

ELECTRICAL CONNECTION DIAGRAM

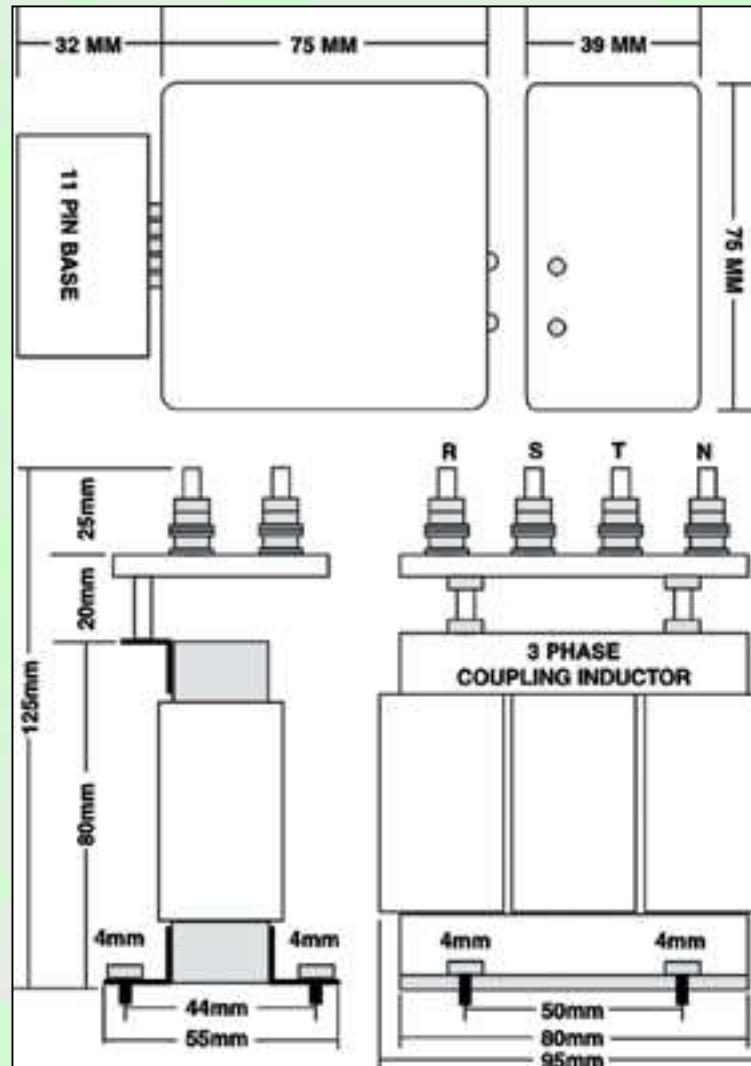




EC EARTH INSULATION LOCK OUT RELAY...

NEW ELEC

DIMENSIONAL DIAGRAM





EC EARTH INSULATION LOCK OUT RELAY...

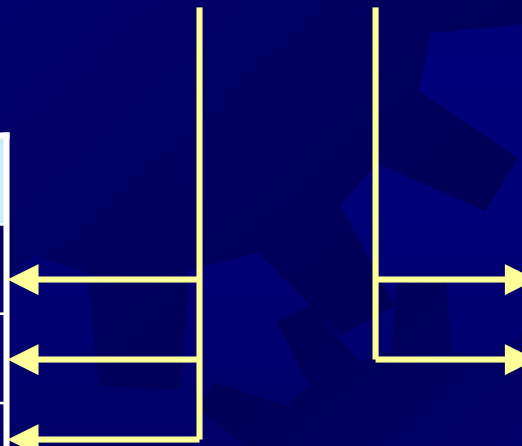
NEW ELEC

ORDERING INFORMATION

EC _ _ _ / _ _ _

Range
2K
5K
10K

Voltage
12 V a.c
110 V a.c





**EC EARTH INSULATION LOCK OUT
RELAY...**

**NEW
ELEC**

- We provide a **1 year renewable guarantee**
- We repair products out of guarantee for **50%** of their list price and renew the guarantee
- Local support**

THANK YOU FOR YOUR ATTENTION!