

NEW ELEC

MOTOR PROTECTION & CONTROL TECHNOLOGY

EC Series Electronic Motor Protection Relay



A South African Company to be Proud of

About

The NewElec EC series of electronic motor protection relays will monitor the insulation integrity of protected motor windings and feeder cable cores to earth while the motor is standing. The main contactor is prevented from closing a circuit in which the insulation level to earth is below the permissible level.

The selected Lock-out relay model determines the minimum value of insulation level. The relay is typically used in areas where use of plant and equipment is of a seasonal nature, where motors are subjected to hosing down (i.e. Abattoirs), where high condensation occurs in standby equipment, and often in coastal areas.

Features Include:

- Total isolation of measuring circuit from the main supply
- LED Indication of healthy and faulty status
- Pluggable 11-pin base for ease of removal
- Fused measuring circuit protects the
- relay against inadvertent damage due to incorrect connections
- Compact design allows for ease of installation in flameproof enclosures
- Suitable for use on both cables and motors starting D.O.L. or Star Delta



Ordering Information

Model	Range	Voltage
EC	2K	12V A.C.
	5K	110V A.C.
	10K	

Example: **EC 5K/110**

Product Specifications

Measurement Accuracy

Motor windings : D.O.L. $\pm 5\%$
 Motor windings Star Delta : -5% to $+10\%$
 or feeder cables

Repeatability

Measurement accuracy : $\pm 5\%$

Operating Range

Auxillary supply : $\pm 10\%$

Output Relay

Rating : 5Amp 220V A.C.

Insulation

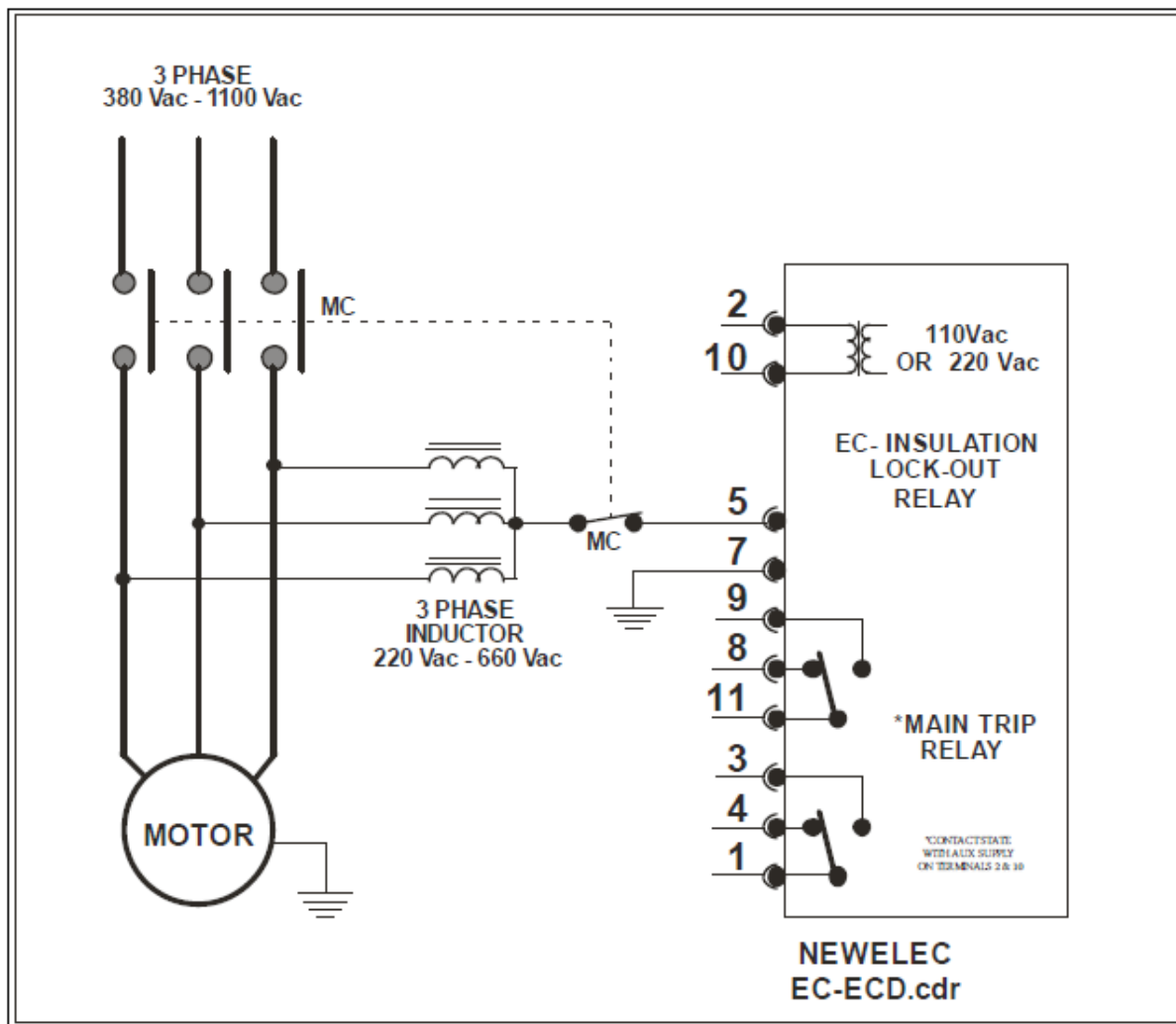
Seperate circuits : IEC 255-5C
 Impulse : IEC 255-4E III
 N/O Contacts : 1kV 60 sec

Disturbance Immunity

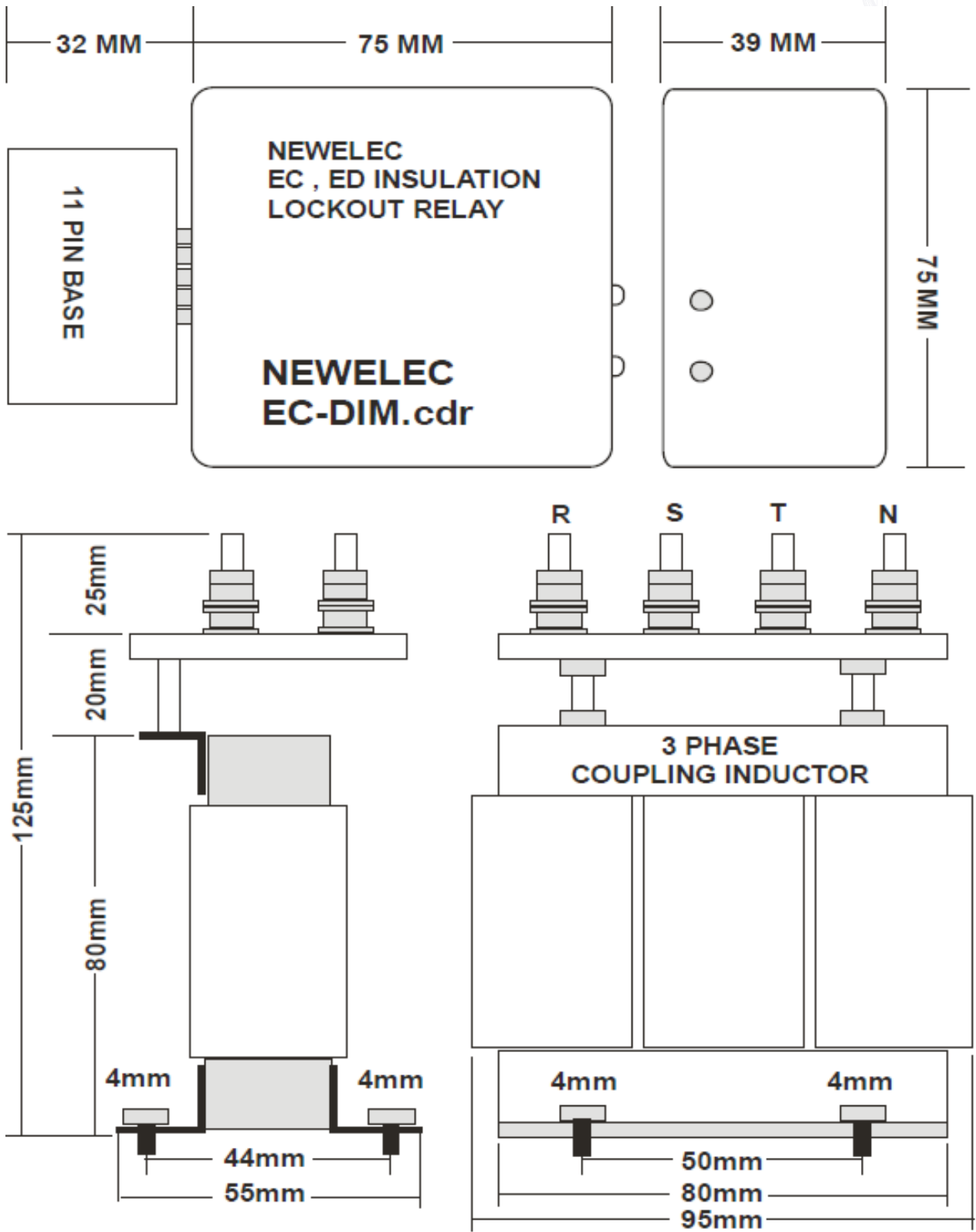
High Frequency : IEC 255-8 E III



Wiring Diagram



EC Series Dimensions



NEW ELEC

MOTOR PROTECTION & CONTROL TECHNOLOGY

Physical Address:

298 Soutter Street,
Pretoria West

Tel: +27 12 327 1729

Fax: +27 (0)12 327 1733

Toll Assist: 0860 10 30 41

www.newelec.co.za

sales@newelec.co.za

EC Series Electronic Motor Protection Relay

